

Modular Mechanical Supports

a division of Eberl Iron Works, Inc.
128 Sycamore Steet
Buffalo, New York 14204



(800) 285-3056



MMS@eberliron.com



modularmechanicalsupports.com



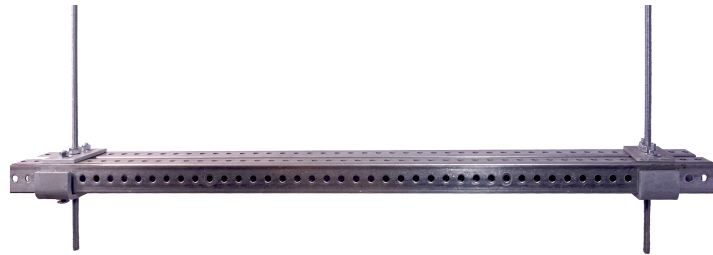
MMS

Modular Mechanical Supports

SB-200

SILVERBACK STRONGBACK PIPE SUPPORT PRODUCT SUBMITTAL SHEET

SILVERBACK

STRONGBACK PIPE SUPPORT

Installation

1. Install beam clamp, drill steel at locations specified by design, or install anchors into concrete.
2. Attach threaded rod to beam clamp/anchor.
3. Install top nut and washer.
4. Run threaded rod through the strongback and secure with the supplied washer and nut underneath.
5. Attach piping with hardware by others.

Maximum Uniform Load

Safety Factor of Tubing member is 2

SB-200	Single Span				Total with Telescoped Insert			
	Length (ft)	4	6	8	10	6	8	10
Weight (lbs)	4116	2736	2058	1646	4676	3518	2814	
	If load is concentrated at center of span, multiply load from table by 0.5							
	If weight limits exceed these numbers consult with Customer Service on an alternative support using a Framo drop							

Spacing: Horizontal support spacing according to pipe specification, or horizontal pipe support spacing according to applicable building code.

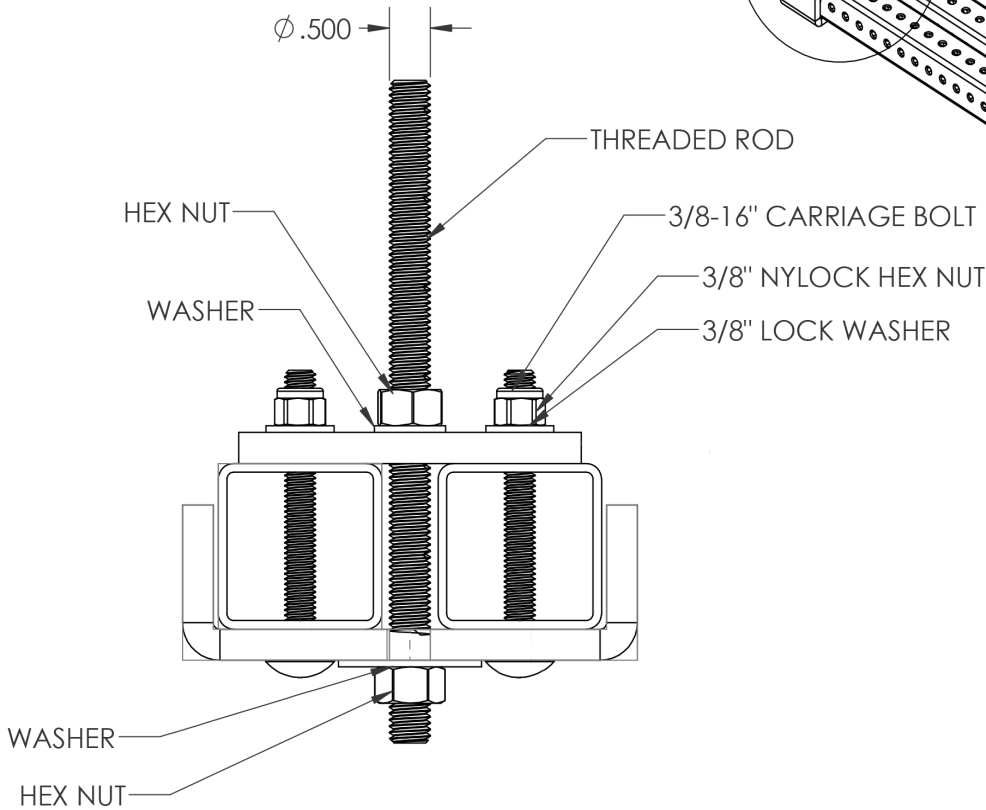
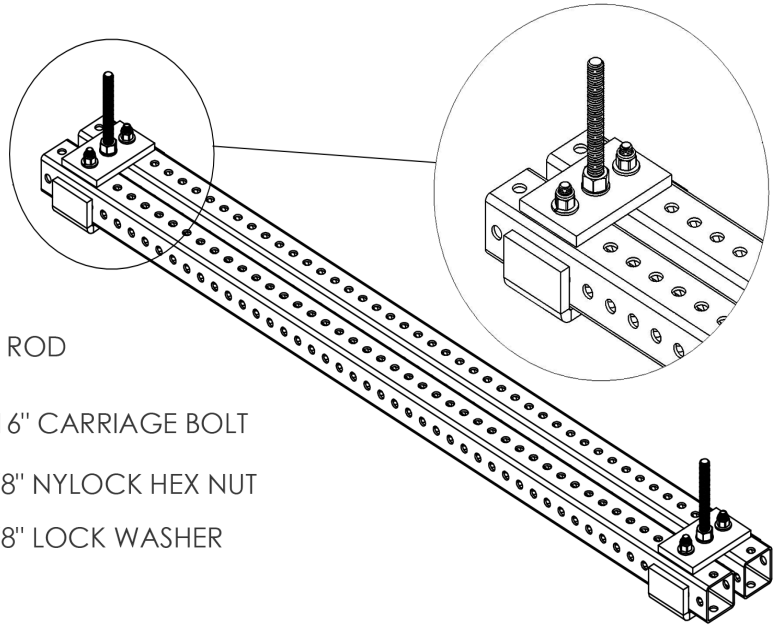
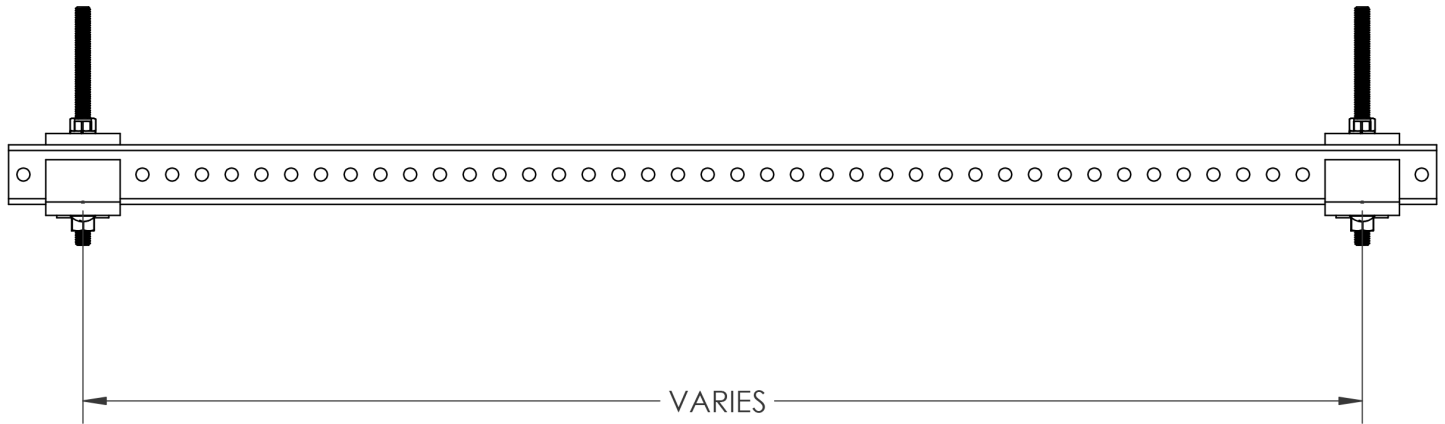
Quantity:

Contractor:

Project:

SB-200

PRODUCT SUBMITTAL SHEET



STANDARD DETAILS ARE FOR REFERENCE AND DESIGN PURPOSES ONLY, AND ARE NOT INTENDED FOR USE AS FULLY ENGINEERED SYSTEMS. ENGINEERED SYSTEMS MUST TAKE INTO ACCOUNT ACTUAL SITE CONDITIONS (SUCH AS: LOAD, ELEVATION, SIZE, SPACING, BUILDING STRUCTURE, EXISTING MEP STRUCTURES, ETC.) AND BE PURCHASED THROUGH MODULAR MECHANICAL SUPPORTS, A DIVISION OF EBERL IRON WORKS, INC. 128 SYCAMORE STREET, BUFFALO, NEW YORK 14204. CONTACT MODULAR MECHANICAL SUPPORTS: 1 (800) 285-3056 MODULARMECHANICALSUPPORTS.COM/REQUEST-QUOTE FOR A CUSTOM QUOTE TAILORED TO YOUR JOBSITE/PROJECT.