

## Modular Mechanical Supports

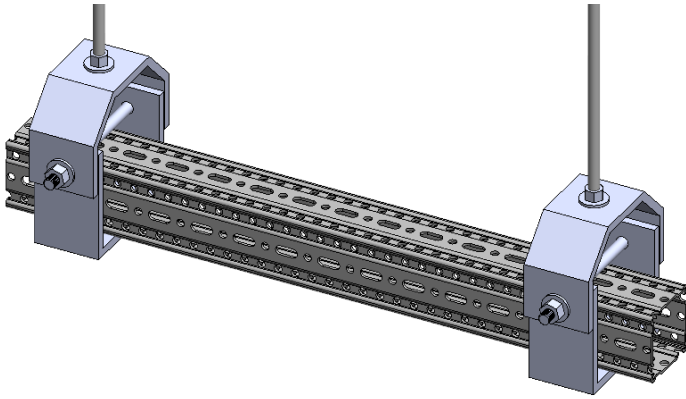
a division of Eberl Iron Works, Inc.  
128 Sycamore Steet  
Buffalo, New York 14204

(800) 285-3056  
MMS@eberliron.com  
modularmechanicalsupports.com



# SB-SF100

## STRONGBACK XXL PRODUCT SUBMITTAL SHEET



### Installation

1. Install beam clamp, drill steel at locations specified by design, or install anchors into concrete.
2. Attach threaded rod to beam clamp, steel, or anchor.
3. Attach clevis to threaded rod using the nuts and washers provided. Adjust to desired height.
4. Slide siFramo into clevis assemblies and align siFramo holes with clevis assembly slots.
5. Secure beam to clevis assembly using the FLS Thread Forming Screws.
6. Tighten all clevis hardware until support is rigid.

### Maximum Load Weight

Safety Factor of Framo member is 1.35

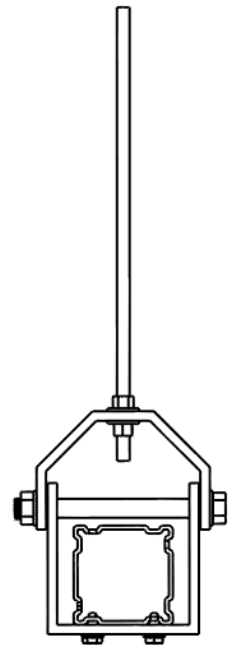
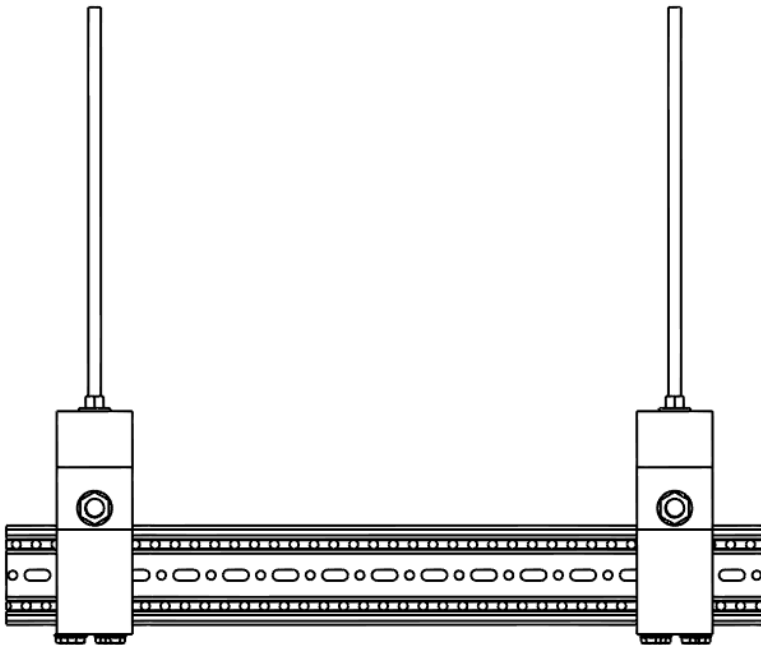
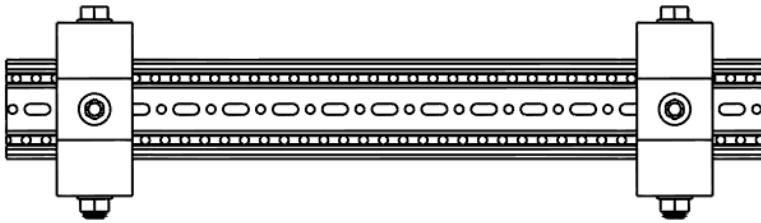
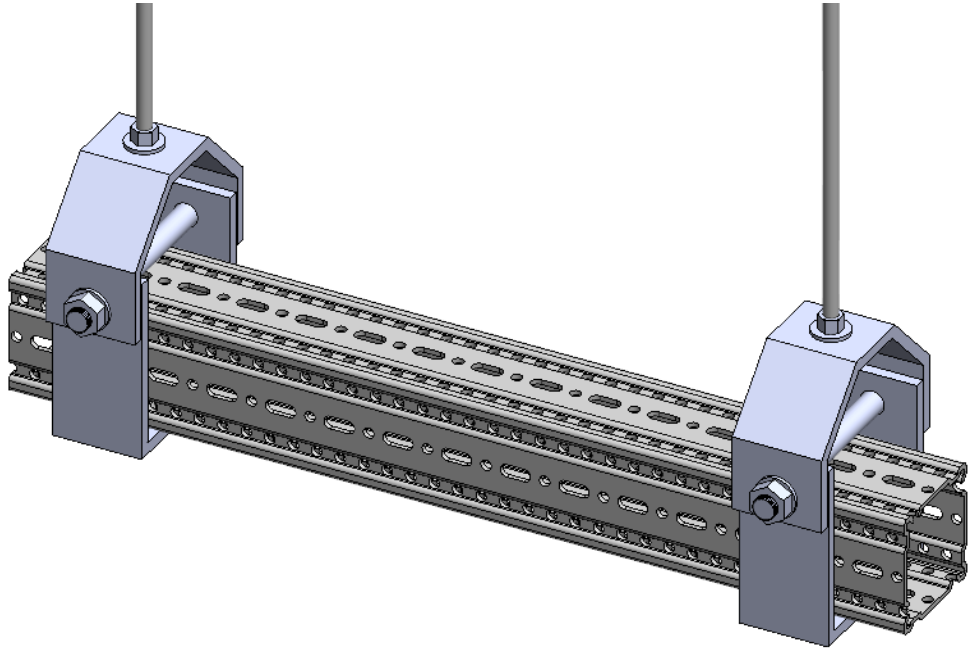
siFramo 100	Single Span				Total with Midspan		
	Length (ft)	4	6	8	10	6	8
Weight (lbs)	8611*	8611*	4509	2085	4509*	4509*	4509*
*	Denotes span is governed by the capacity of the connection assembly and threaded hanger						
	If weight limits exceed these numbers consult with Customer Service on an alternative support using a Framo drop						

Spacing: Horizontal support spacing according to pipe specification, or horizontal pipe support spacing according to applicable building code.

Quantity:

Contractor:

Project:



STANDARD DETAILS ARE FOR REFERENCE AND DESIGN PURPOSES ONLY, AND ARE NOT INTENDED FOR USE AS FULLY ENGINEERED SYSTEMS. ENGINEERED SYSTEMS MUST TAKE INTO ACCOUNT ACTUAL SITE CONDITIONS (SUCH AS: LOAD, ELEVATION, SIZE, SPACING, BUILDING STRUCTURE, EXISTING MEP STRUCTURES, ETC.) AND BE PURCHASED THROUGH MODULAR MECHANICAL SUPPORTS, A DIVISION OF EBERL IRON WORKS, INC. 128 SYCAMORE STREET, BUFFALO, NEW YORK 14204. CONTACT MODULAR MECHANICAL SUPPORTS: 1 (800) 285-3056 MODULARMECHANICALSUPPORTS.COM/REQUEST-QUOTE FOR A CUSTOM QUOTE TAILORED TO YOUR JOBSITE/PROJECT.