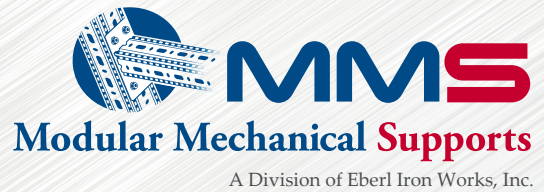


STRONGBACK XL MODULAR PIPE SUPPORTS

No Fabrication, Just Installation



Five Times Faster Assembly

Strongback XL's assemble much faster than fabricated steel and require no cutting or welding. Our fully designed and engineered supports are provided as easy-to-assemble kits to save you time during installation.

- Off-the-Shelf Kits
- Modular System as Strong as Fabricated Steel
- One Screw for All Hardware Connections
- Installs with a Simple 20v Impact Driver
- Compatible with Unistrut Metal Framing
- Fully Adjustable Mechanical Connections
- Four-Sided Attachment
- Single Person Installation on Most Sizes

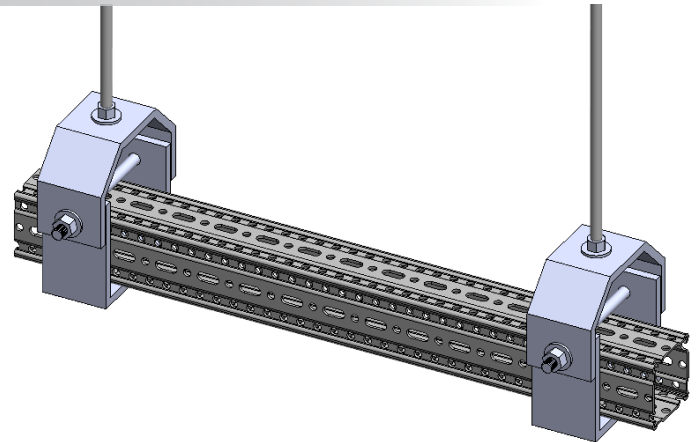


****Available up to 10' lengths, for longer spans consult with our design department****

SB-SF80: *siFramo 80 Pipe Support*

- Sikla siFramo 80 Modular Structural Components
- 3/8" Thick Adjustable Clevis Section
- Uses 4 FLS Thread Forming Screws
- 1/2" All Thread Required

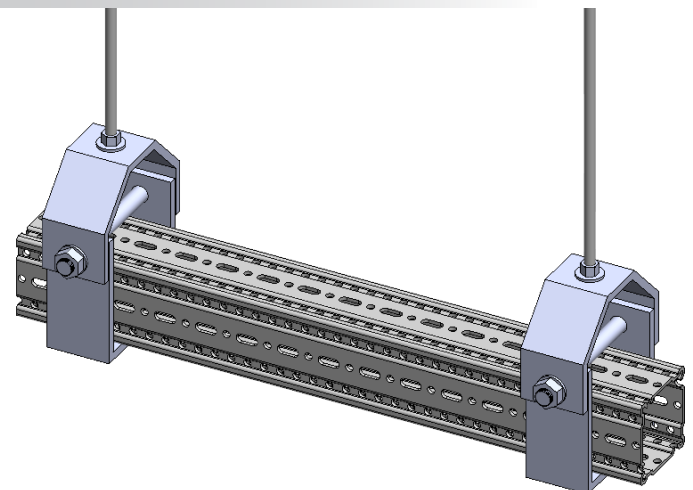
All hardware is electro-galvanized. Framo sections are Hot Dip Galvanized. Clevis supports are available in cold Galvanized or Hot Dip Galvanized.



SB-SF100: *siFramo 100 Pipe Support*

- Sikla siFramo 100 Modular Structural Components
- 3/8" Thick Adjustable Clevis Section
- Uses 6 FLS Thread Forming Screws
- 3/4" All Thread Required

All hardware is electro-galvanized. Framo sections are Hot Dip Galvanized. Clevis supports are available in cold Galvanized or Hot Dip Galvanized.



****For load requirements please contact our support team****

Modular Mechanical Supports SERVICES



No Fabrication, Just Installation

Our prefabricated mechanical supports are constructed out of Sikla modular structural support members and components, which are engineered to perform as a primary pipe support system.

Sikla Framo (siFramo) assembles five times faster than fabricated steel, and requires no on-site welding, drilling, or burning.

All hardware connections are made with the same size vibration-proof thread forming screw - which tightens into place with a standard, 20 volt impact driver - and are easy to adjust in the field, unlike welded connections.

Sikla is highly compatible with many other metal framing systems, such as Unistrut, and comes standard in a high corrosion (ISO C4 grade) finish.

Our Product Systems

- Strongback Pipe Supports
- Equipment Skids
- Multi-Trade Pipe Racks
- Adjustable MEP Pipe Support Frames

Services We Offer

- BIM Modeling
- Takeoff & Design
- Shop Drawings
- Engineering Stamps
- Product Kitting
- Prefabrication
- Product Training
- On-Site Assistance
- Project Planning
- Packaging & Delivery

EBERL
IRON WORKS, INC.®

128 Sycamore Street
Buffalo, New York 14204
Toll-Free: (800) 285-3056
Local: (716) 854-7633
modularmechanicalsupports.com



Fully Engineered & Designed

Our team designs and engineers your supports, then supplies you with kits or pre-assembled frames for easy installation on your job site.

Our friendly and knowledgeable customer service staff is on hand to answer your questions, and to provide you with detailed product knowledge and training, product certifications and submittals, respond to quote requests, process orders, provide logistics support and anything else you might need.

Our dedicated project coordinators are on hand to assist you throughout every step of your custom project, from modeling, design, takeoff and delivery to completion.

Project Applications and Industries

- Multi-Trade Racks
- Equipment Skids
- Pipe Skids/Petrochemical
- MEP Support Frames
- Pump Skids/Pharmaceutical
- Access Platforms
- Ductwork Supports
- Wastewater Treatment
- Energy Plants
- Clean Room Manufacturing

For More Information

Visit Us Online: modularmechanicalsupports.com

Email Us: MMS@eberliron.com

modularmechanicalsupports.com

modularmechanicalsupports.com

(800) 285-3056